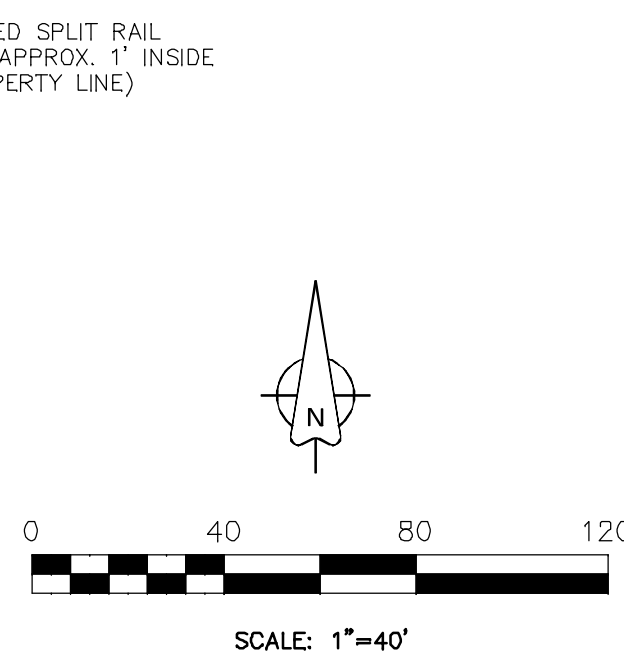
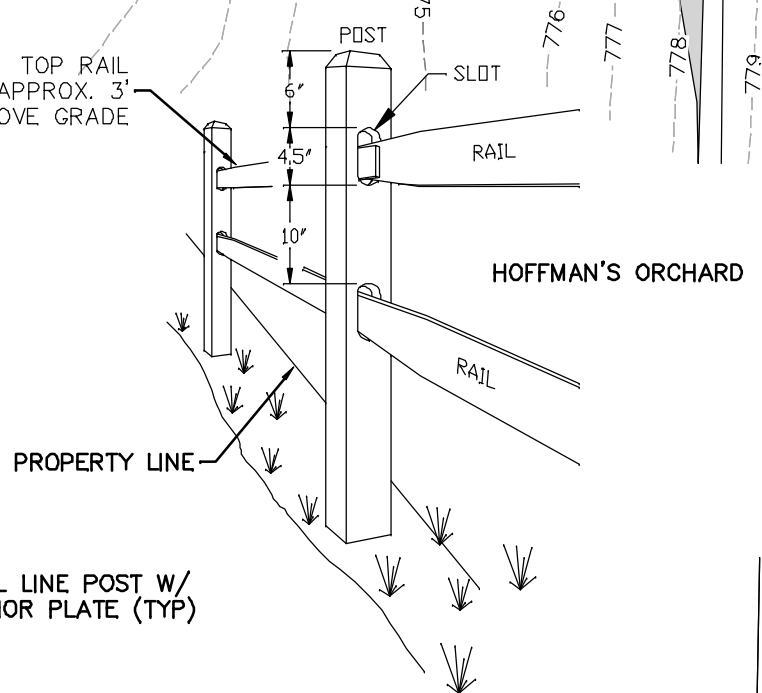
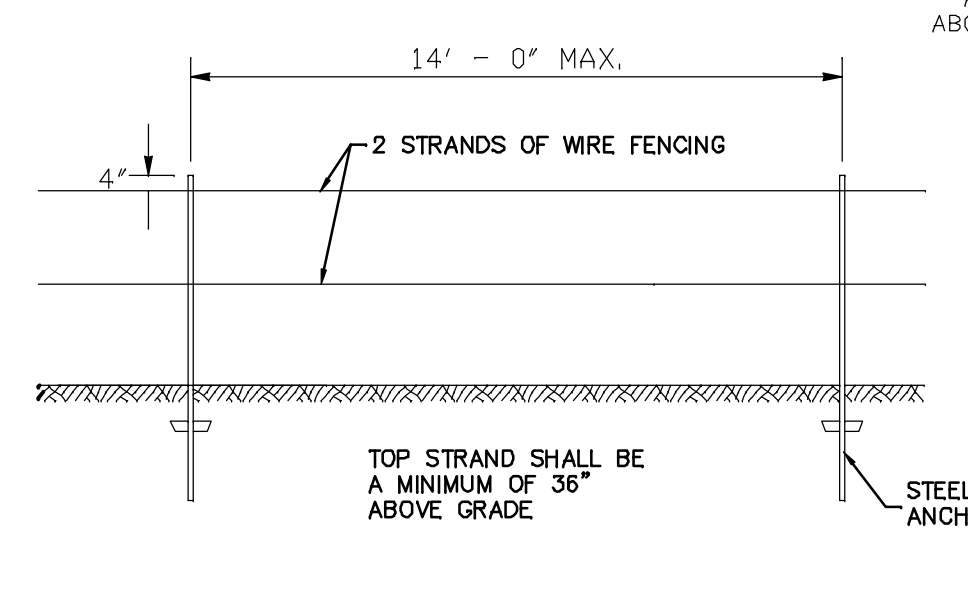


	Latin	Common	
Deciduous	Ar	Acer Rubrum	Red Maple
	As	Acer saccharum	Sugar Maple
	Gt	Gleditsia triacanthos	Honey Locust
		One more	
Evergreen	Pa	Picea abies	Norway Spruce
	Pg	Picea glauca	White Spruce
	Ps	Pinus strobus	White Pine
Flowering	Ck	Cornus kousa	Kousa Dogwood
	Ms	Magnolia soulangiana	Magnolia
	Mst	Magnolia stellata	Star Magnolia
	M	Malus sp 'Prairie Fire'	Flowering Crab
	Ps	Prunus sargentii	



PROJECT ENGINEER:  
**jozwiak consulting**  
 p.o. box 5342 traverse city, mi 49696 231-218-1201  
 www.jozwiakconsulting.com

PROJECT ARCHITECT/MANAGER:  
**KERRIDGE**  
 ARCHITECTURE + CONSTRUCTION  
 400 W FRONT STREET, STE 205  
 T. 224.4940 F. 698.4254  
 www.kerridgeconstruction.com

ISSUE DATE: 4-18-11  
 REVISIONS:  
 PLANNER REVIEW 5-9-11  
 RESUBMIT 6-10-11  
 VINEYARD & FENCE 7-6-11  
 RESUBMIT 7-12-11

PROJECT:  
**St. Joseph Catholic Church**  
 PROJECT LOCATION:  
**12675 Center Rd**  
 Section 33, T29N, R10W, Peninsula Township,  
 Grand Traverse County, Michigan

JOB NO.:  
**2011-115**

**SITE PLAN**

**C3**